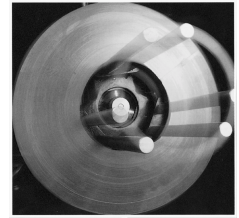


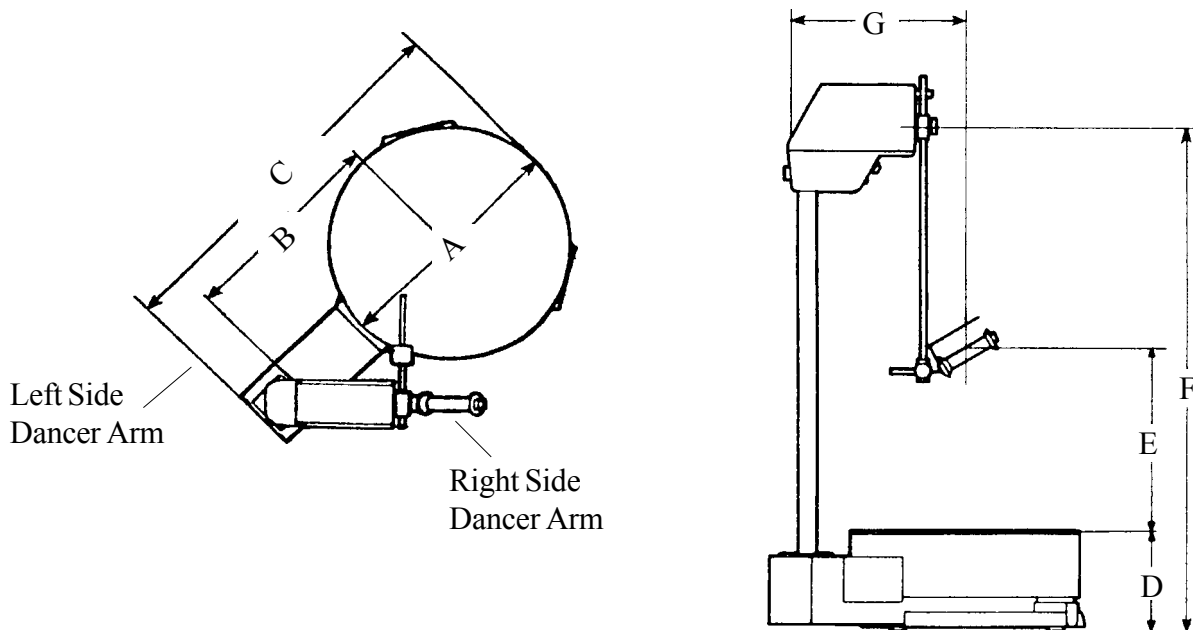
# Durant Tool Company

Manufacturers of  
Coil Handling Equipment



## Pallet Decoiler R & RW Series

R-5000, R-6000, R-7500, R-8500, R10M &  
R12M Series



Model	A	B	C	D	E	F	G	Shipping Weight
R-5000	48"	34"	68"	14"	15"	64"	20"	815 Lbs.
R-6000	48"	34"	68"	14"	15"	64"	20"	875 Lbs.
R-7500	60"	40"	80"	18"	15"	64"	20"	1090 Lbs.
R-8500	60"	40"	80"	18"	15"	64"	20"	1165 Lbs.
R10M	60"	49"	84"	19"	15"	73"	20"	1895 Lbs.
R12M	60"	49"	84"	19"	15"	73"	20"	1975 Lbs.

R & RW have the same dimensions