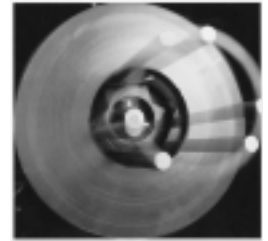


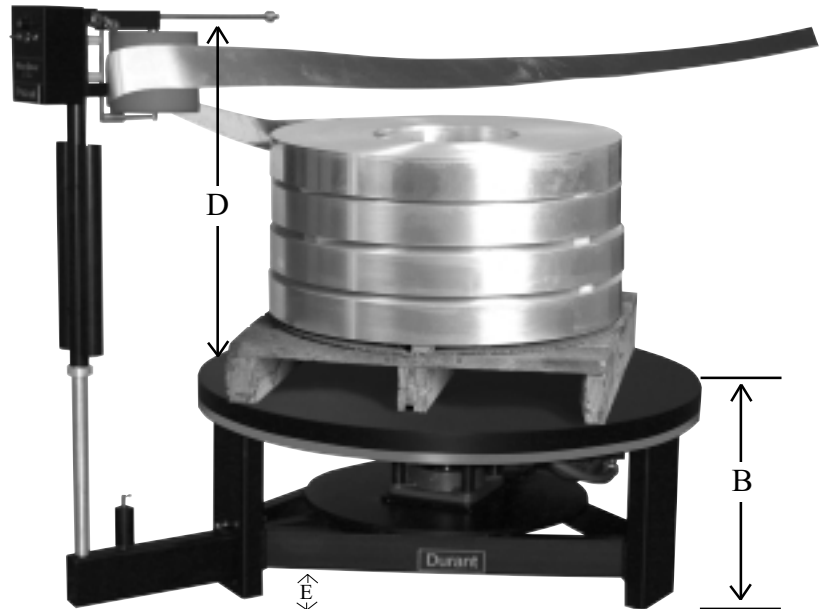
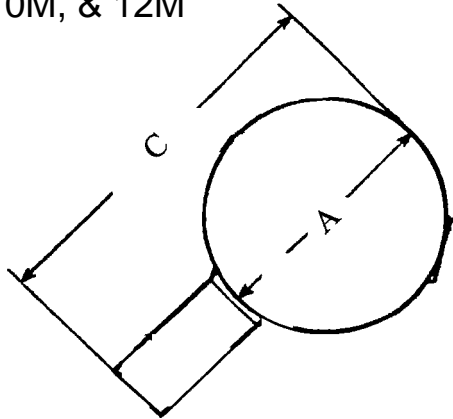
Durant Tool Company

Manufacturers of
Coil Handling Equipment



Pallet Decoiler

Models: 1200, 3500, 5000,
6000, 7500, 8500,
10M, & 12M



Model	A	B	C	D	E	Shipping Weight
1212-30	30"	20"	40" - 53"	12" - 40"	6 1/2"	325 lbs.
1225-30	30"	20"	40" - 53"	12" - 40"	6 1/2"	325 lbs.
1250-30	30"	20"	40" - 53"	12" - 40"	6 1/2"	325 lbs.
3512-42	42"	20"	52" - 65"	12" - 40"	6 1/2"	375 lbs.
3525-42	42"	20"	52" - 65"	12" - 40"	6 1/2"	375 lbs.
3550-42	42"	20"	52" - 65"	12" - 40"	6 1/2"	375 lbs.
5012-42	42"	20"	52" - 65"	12" - 40"	6 1/2"	475 lbs.
5025-42	42"	20"	52" - 65"	12" - 40"	6 1/2"	475 lbs.
5050-42	42"	20"	52" - 65"	12" - 40"	6 1/2"	475 lbs.
5012-48	48"	20"	58" - 89"	12" - 40"	6 1/2"	675 lbs.
5025-48	48"	20"	58" - 89"	12" - 40"	6 1/2"	675 lbs.
5050-48	48"	20"	58" - 89"	12" - 40"	6 1/2"	675 lbs.
6012-48	48"	20"	58" - 89"	12" - 40"	6 1/2"	675 lbs.
6025-48	48"	20"	58" - 89"	12" - 40"	6 1/2"	675 lbs.
6050-48	48"	20"	58" - 89"	12" - 40"	6 1/2"	675 lbs.
7512-52	52"	20"	62" - 89"	12" - 40"	6 1/2"	775 lbs.
7525-52	52"	20"	62" - 89"	12" - 40"	6 1/2"	775 lbs.
7512-60	60"	20"	70" - 98"	12" - 40"	6 1/2"	825 lbs.
7525-60	60"	20"	70" - 98"	12" - 40"	6 1/2"	825 lbs.
8512-60	60"	20"	70" - 98"	12" - 40"	6 1/2"	900 lbs.
8525-60	60"	20"	70" - 98"	12" - 40"	6 1/2"	900 lbs.
10M-12-60	60"	24"	70" - 98"	6" - 40"	6 1/2"	1000 lbs.
10M-25-60	60"	24"	70" - 98"	6" - 40"	6 1/2"	1000 lbs.
12M-12-60	60"	24"	70" - 98"	6" - 40"	6 1/2"	1250 lbs.
12M-25-60	60"	24"	70" - 98"	6" - 40"	6 1/2"	1250 lbs.

200 Circuit Drive • North Kingstown, Rhode Island 02852 • USA
 International Phone: 401-781-7800 • Toll Free: 800-338-7268 • Fax: 401-738-2586
 • Internet Address: <http://www.durantco.com> •