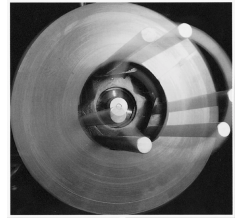


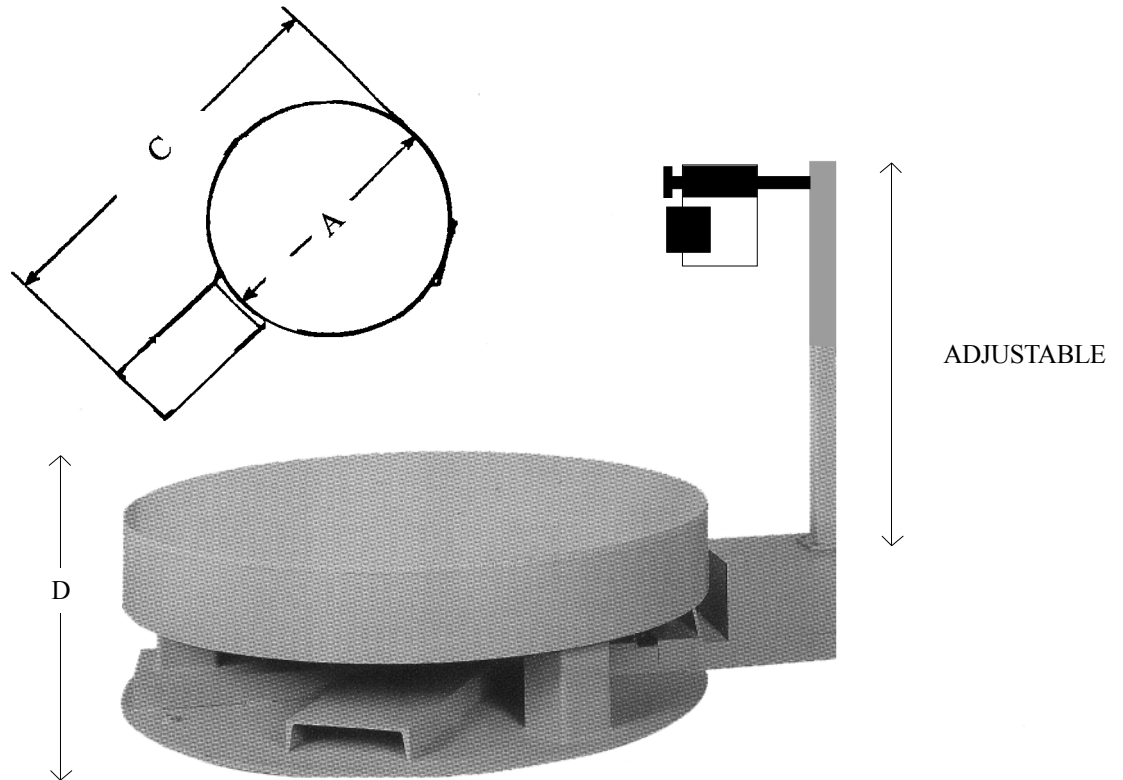
Durant Tool Company

Manufacturers of
Coil Handling Equipment



Pallet Decoiler

Models: N-1200, N-2500, N-4000, N-5500,
N-6500, N-8000



Model	A	C	D	Shipping Weight
N 1200	36", 42"	54", 60"	13"	375 Lbs.
N 2500	42"	60"	13"	425 Lbs.
N 4000	42"	60"	13"	450 Lbs.
N 5500	48"	66"	13"	815 Lbs.
N 6500	52"	70"	13"	850 Lbs.
N 8000	60"	80"	18"	1090 Lbs.

200 Circuit Drive • North Kingstown, Rhode Island 02852 • USA
International Phone: 401-781-7800 • Toll Free: 800-338-7268 • Fax: 401-738-2586
• Internet Address: www.durantco.com •