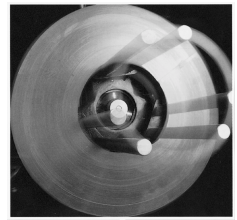


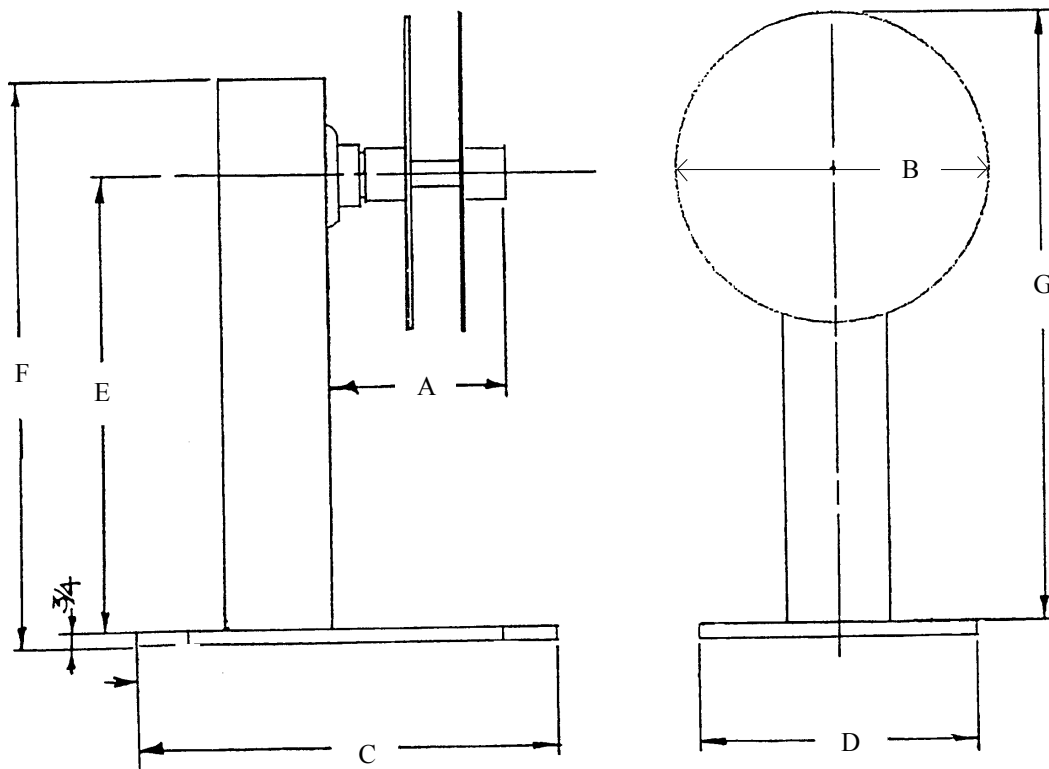
Durant Tool Company

Manufacturers of
Coil Handling Equipment



Stock Reels

Models: DD, DMD, VS / DMD



| Models | A | B | C | D | E | F | G | Shipping Weight |
|------------|---------|-----|---------|---------|---------|---------|---------|-----------------|
| DD | 10 5/8" | 18" | 23 1/2" | 15 3/4" | 27 1/2" | 31 3/4" | 36 1/2" | 260 Lbs. |
| DD-1 | 13 5/8" | 18" | 23 1/2" | 15 3/4" | 27 1/2" | 31 3/4" | 36 1/2" | 260 Lbs. |
| DD-2 | 17 5/8" | 18" | 23 1/2" | 15 3/4" | 27 1/2" | 31 3/4" | 36 1/2" | 265 Lbs. |
| DD-3 | 23 5/8" | 18" | 27" | 15 3/4" | 27 1/2" | 31 3/4" | 36 1/2" | 265 Lbs. |
| DD-4 | 31 5/8" | 18" | 31" | 15 3/4" | 27 1/2" | 31 3/4" | 36 1/2" | 270 Lbs. |
| VS / DMD | 10 5/8" | 18" | 23 1/2" | 15 3/4" | 27 1/2" | 31 3/4" | 36 1/2" | 335 Lbs. |
| VS / DMD-1 | 13 5/8" | 18" | 23 1/2" | 15 3/4" | 27 1/2" | 31 3/4" | 36 1/2" | 335 Lbs. |
| VS / DMD-2 | 17 5/8" | 18" | 23 1/2" | 15 3/4" | 27 1/2" | 31 3/4" | 36 1/2" | 340 Lbs. |
| VS / DMD-3 | 23 5/8" | 18" | 27" | 15 3/4" | 27 1/2" | 31 3/4" | 36 1/2" | 340 Lbs. |
| VS / DMD-4 | 31 5/8" | 18" | 31" | 15 3/4" | 27 1/2" | 31 3/4" | 36 1/2" | 345 Lbs. |