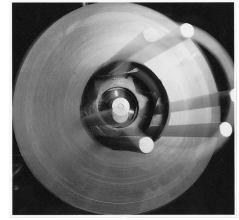


Durant Tool Company

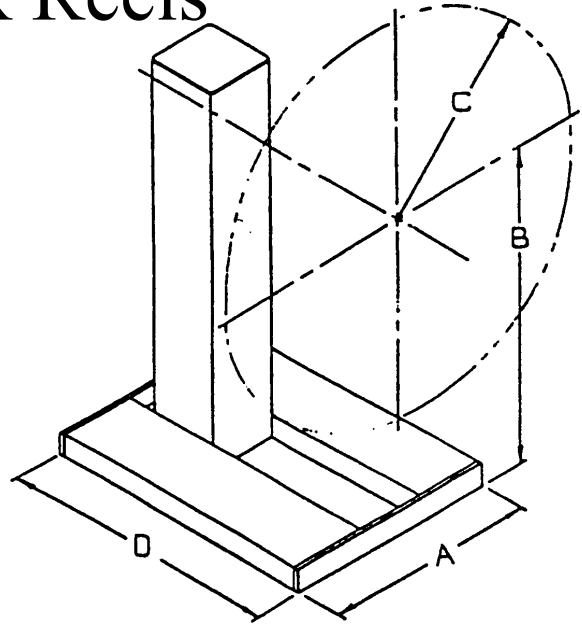
Manufacturers of
Coil Handling Equipment



Adjustable Core Stock Reels

Models:

D 50-M, D 100-M, D 250-M
DSC-0, DSC-1
DMSC-0, DMSC-1
VS-DMSC-0, VS-DMSC-1
DSC-2, DMSC-2, VS-DMSC-2
DSC-3, DMSC-3, VS-DMSC-3
XL-1812, XL-1816, XL-1824



Model	A	B	C	D	Shipping Weight
D 50-M	18"	28 1/4"	19 1/2"	24"	442 Lbs.
D 100-M	18"	28 1/4"	19 1/2"	24"	462 Lbs.
D 250-M	18"	28 1/4"	19 1/2"	24"	462 Lbs.
DSC-0 / DSC-1	18"	28 1/4"	19 1/2"	24"	311 Lbs.
DMSC-0 / DMSC-1	18"	28 1/4"	19 1/2"	24"	462 Lbs.
VS-DMSC-0 / VS-DMSC-1	18"	28 1/4"	19 1/2"	24"	462 Lbs.
DSC-2	19"	31 1/2"	25"	28"	509 Lbs.
DMSC-2	19"	31 1/2"	25"	28"	592 Lbs.
VS-DMSC-2	19"	31 1/2"	25"	28"	592 Lbs.
DSC-3	19"	31 1/2"	25"	33"	585 Lbs.
DMSC-3	19"	31 1/2"	25"	33"	660 Lbs.
VS-DMSC-3	19"	31 1/2"	25"	33"	660 Lbs.
XL-1812	22"	37 1/2"	26"	36"	500 Lbs. *
XL-1816	22"	37 1/2"	26"	40"	535 Lbs. *
XL-1824	22"	37 1/2"	26"	48"	575 Lbs. *
					*Add 65 Lbs. for Motorized Models