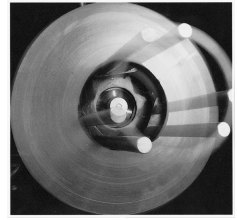


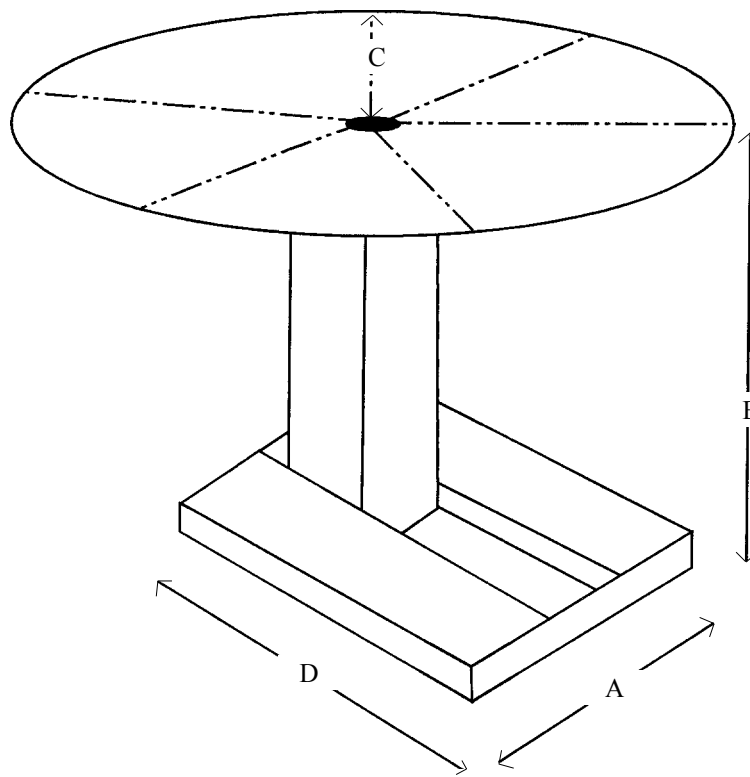
Durant Tool Company

Manufacturers of
Coil Handling Equipment



Adjustable Core Stock Reel

Model: VS-D-300-MH



Model	A	B	C	D	Shipping Weight
VS-D-300-MH	19"	43"	22"	30"	462 Lbs.