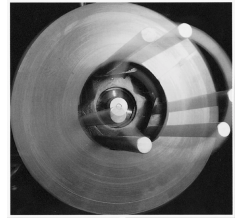


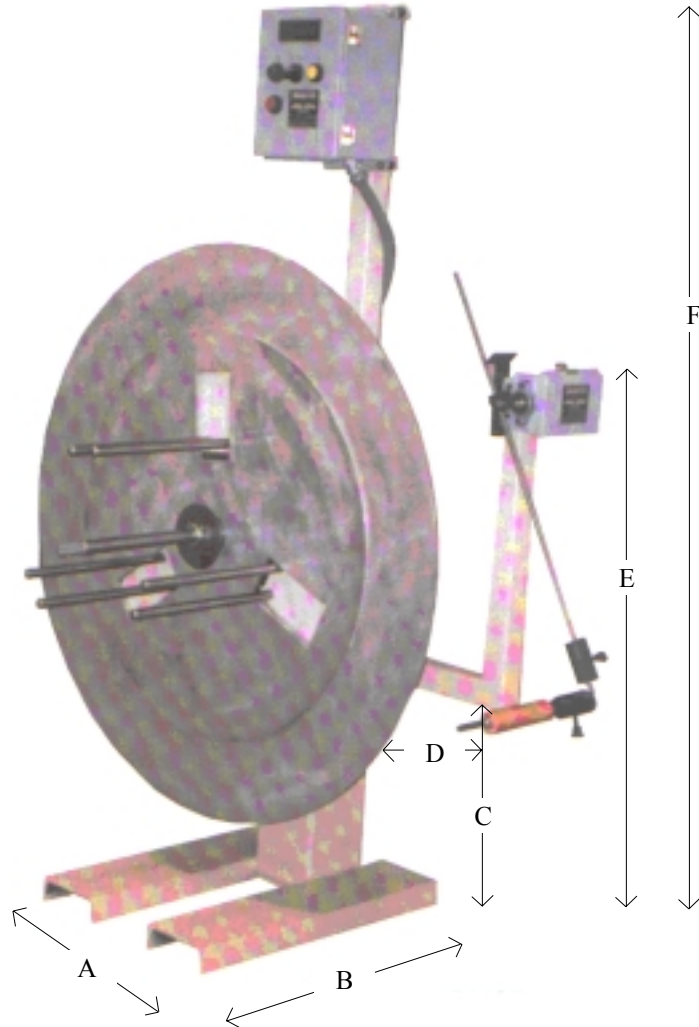
Durant Tool Company

Manufacturers of
Coil Handling Equipment



Plating & Wire Mill Decoilers

Model: WM-VSDMSC-1CD42



Model	A	B	C	D	E	F	Shipping Weight
WM-VSDMSC-1CD42	18"	24"	18"	18"	42"	66"	495 Lbs.

Large Inside
Disc Diameter 42"

Small Outside
Disc Diameter 30"

200 Circuit Drive • North Kingstown, Rhode Island 02852 • USA
International Phone: 401-781-7800 • Toll Free: 800-338-7268 • Fax: 401-738-2586
• Internet Address: www.durantco.com •