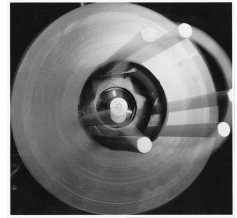


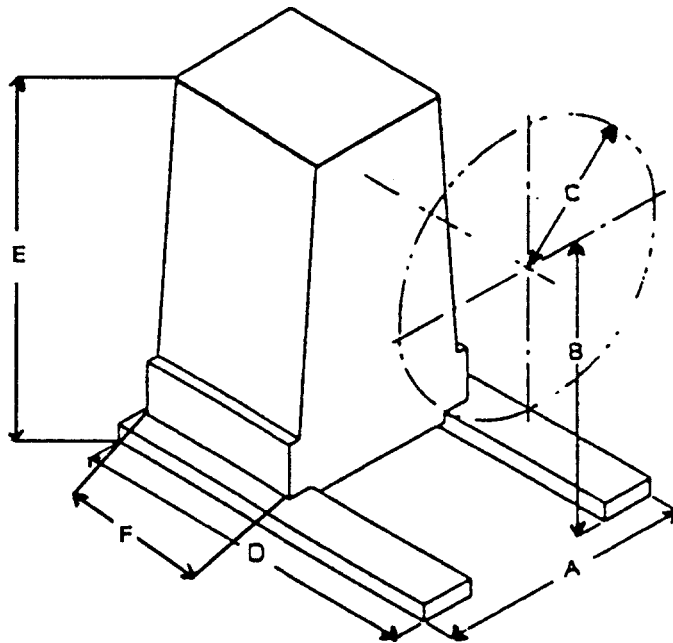
Durant Tool Company

Manufacturers of
Coil Handling Equipment



Adjustable Core Stock Reels

Models: MD 250, 300 & 400



Models	Material Width	A	B	C	D	E	F	Shipping Weight *
MD 250, 300, 400	16"	30"	36"	27"	49"	43"	20"	950 Lbs.
	24"	30"	36"	27"	49"	43"	20"	1150 Lbs.
	32"	30"	36"	27"	61"	43"	20"	1350 Lbs.
	36"	30"	36"	27"	61"	43"	20"	1500 Lbs.

* Add 160 Lbs. for Motorized Models

200 Circuit Drive • North Kingstown, Rhode Island 02852 • USA
 International Phone: 401-781-7800 • Toll Free: 800-338-7268 • Fax: 401-738-2586
 • Internet Address: www.durantco.com •