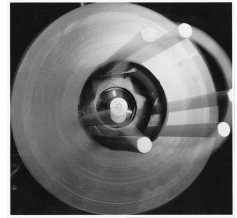


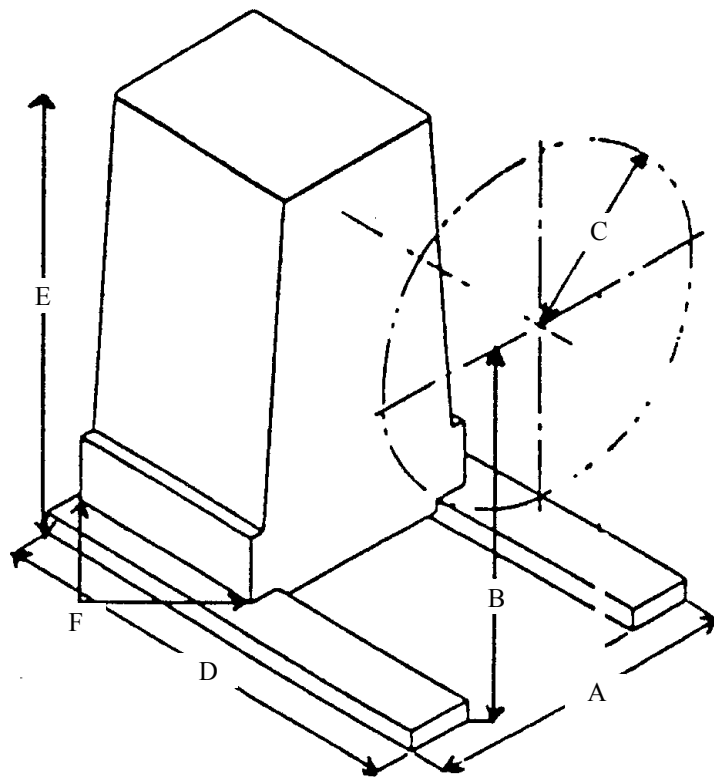
Durant Tool Company

Manufacturers of
Coil Handling Equipment



Adjustable Core Stock Reels

Models: MD 500, 600



Models	Material Width	A	B	C	D	E	F	Shipping Weight *
MD 500, 600	24"	35"	38"	27"	72"	49"	26"	1695 Lbs.
	32"	35"	38"	27"	72"	49"	26"	1751 Lbs.
	36"	35"	38"	27"	72"	49"	26"	1845 Lbs.

* Add 275 Lbs. for Motorized Models