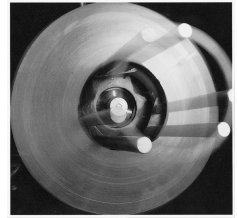


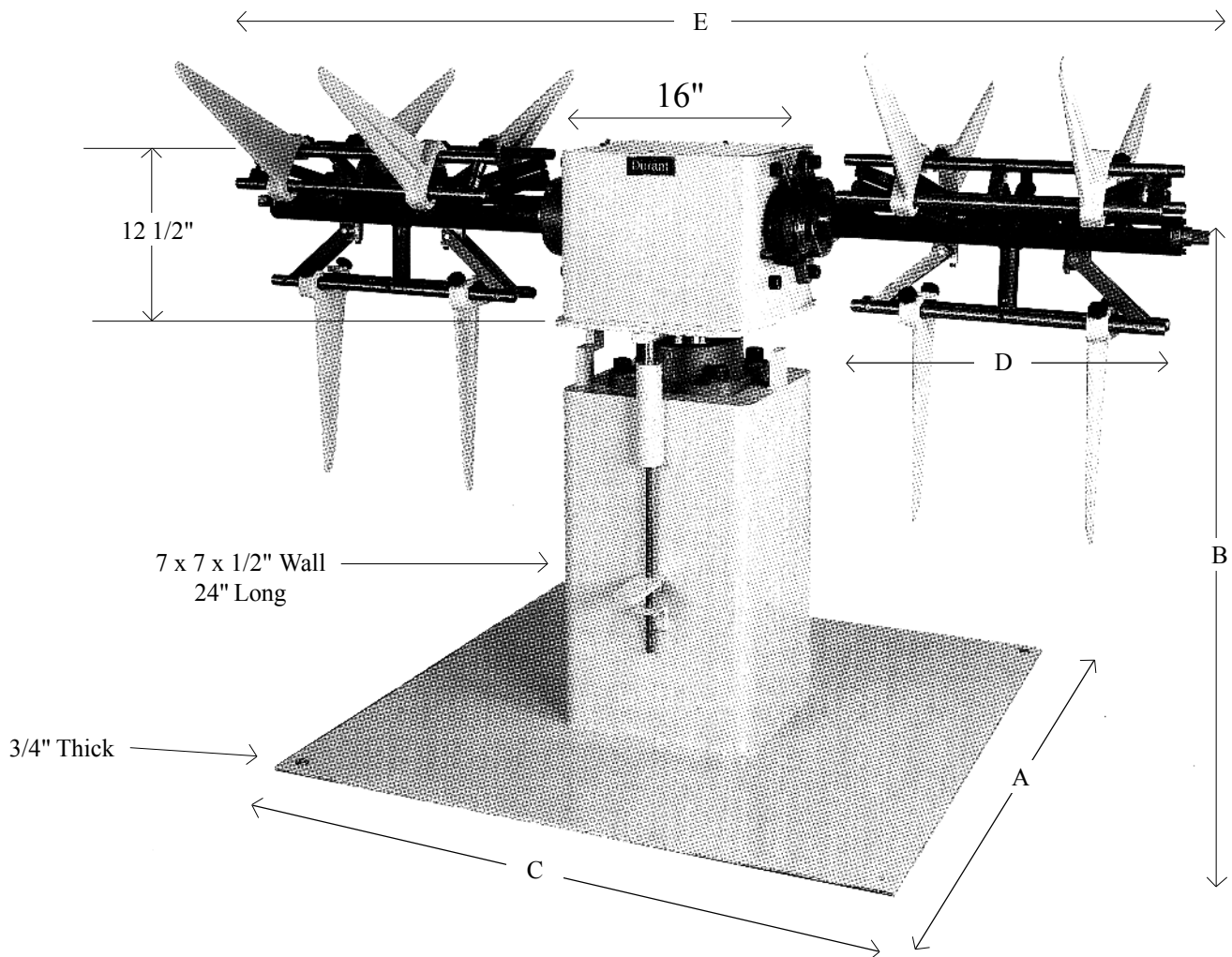
Durant Tool Company

Manufacturers of
Coil Handling Equipment



Double Stock Reels

Model: MDD 2000



Model	A	B	C	D	E	Swing Radius	Shipping Weight *
MDD-2012-U & M	30"	36"	30"	20"	72"	36"	1200 Lbs.
MDD-2016-U & M	30"	36"	30"	24"	80"	40"	1200 Lbs.
MDD-2024-U & M	30"	36"	30"	32"	96"	48"	1200 Lbs.

* Add 325 Lbs. for
Motorized Models

200 Circuit Drive • North Kingstown, Rhode Island 02852 • USA
International Phone: 401-781-7800 • Toll Free: 800-338-7268 • Fax: 401-738-2586
• Internet Address: www.durantco.com •