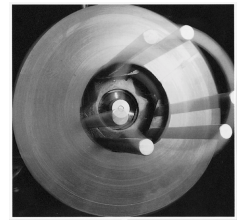


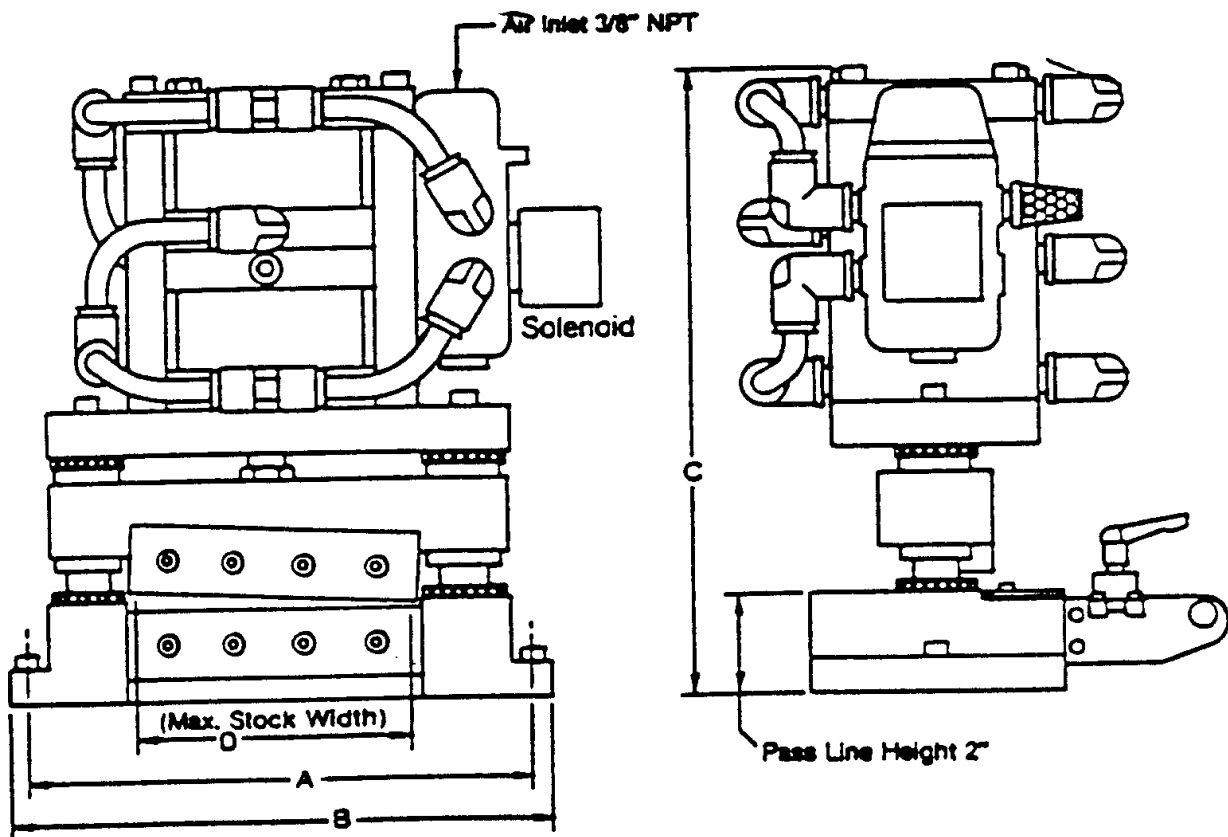
# Durant Tool Company

Manufacturers of  
Coil Handling Equipment



## Pneumatic Cutter

Models: SCP 6 & 12



Model	A	B	C	D	Shipping Weight
SCP 6	11"	12"	13.75"	6"	92 Lbs.
SCP 12	19"	20"	15.75"	12"	160 Lbs.
SCP 18	CALL FACTORY				
SCP 24	CALL FACTORY				